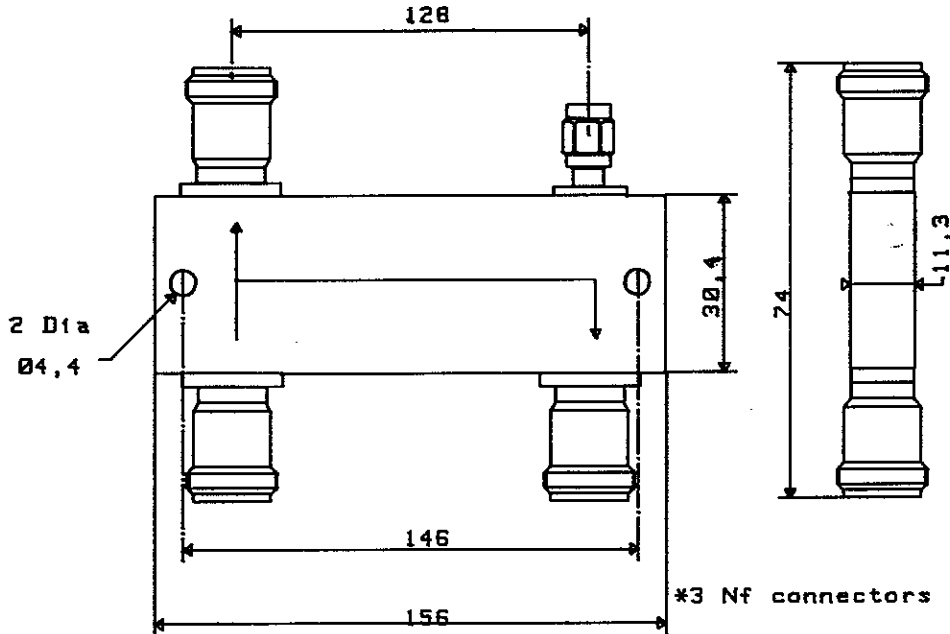




TITLE 30 dB OCTAVE BAND COUPLER

LTR. **A**

DRAWING:



ELECTRICAL CHARACTERISTICS:

GENERAL TOLERANCES: $\pm 0,5$ mm

| | |
|---------------------------|--------------------------------|
| FREQUENCY RANGE | : 0,25 to 0,50 GHz |
| IMPEDANCE | : 50 Ohms |
| NOMINAL COUPLING | : 30 dB |
| NOMINAL COUPLING ACCURACY | : $\pm 0,3$ dB |
| FREQUENCY SENSITIVITY | : $\pm 0,8$ dB |
| INSERTION LOSS | : 0,4 dB max. |
| V.S.W.R. | : 1,12 max. |
| DIRECTIVITY | : 30 dB mini. |
| AVERAGE POWER | : 500 W at 25°C |
| PEAK POWER | : 5 kW (1 μ S, 1%) at 25°C |

MECHANICAL CHARACTERISTICS:

| | |
|--------------------------------|----------------------------|
| CONNECTORS | : N female per MIL C 39012 |
| TERMINATION (on isolated port) | : 1 W 50 Ω |
| MAXIMUM WEIGHT (g) | : 360 |

ENVIRONMENTAL CHARACTERISTICS:

| | |
|----------------------------------|-------------|
| OPERATING TEMPERATURE RANGE (°C) | : - 25 + 70 |
| STORAGE TEMPERATURE RANGE (°C) | : - 25 + 70 |

Tentative data subject to change without notice.

3294-8609

| | | | | | |
|--------------------|--------------------------|--------------------------|-----|------------------|-------------------------|
| PEN | QUALITY Dpt. App. | | | | |
| CAT | <i>C. V...</i> | MO | | | |
| PAGE 1/1 | DATE 27/01/88 | NAME K. LUCIEN | LTR | REVISIONS | DATE APP. |